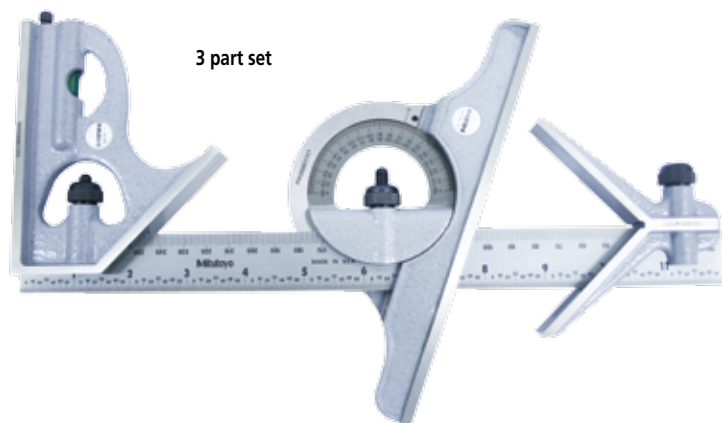


Combination Square Set

SERIES 180

FEATURES

- Measuring heads are attached to the graduated steel rule (blade), allowing versatile measurements on various types of workpieces.
- The measuring heads come hardened or cast iron-not hardened.
- Economy sets without a protractor head are available.



SPECIFICATIONS

Head Only _____ Hardened

Order No.	Description
180-102B	Square Head for 12"/300mm to 24"/600mm
180-202B	Center Head for 12"/300mm to 24"/600mm

Head Only _____ Cast iron-not hardened

Order No.	Description
180-112B	Square Head for 12"/300mm to 24"/600mm
180-212B	Center Head for 12"/300mm to 24"/600mm
180-301B	Protractor Head for 12"/300mm to 24"/600mm

Inch/Metric _____ Hardened Combination Square Sets

Set No.	Blade		Square Head	Center Head	Protractor Head	
	Size	Type				
180-903B	12"	4R	180-501B	180-102B	180-202B	-
180-905B	12"	4R	180-501B	180-102B	180-202B	180-301B*
180-906B	12"	16R	180-502B	180-102B	180-202B	180-301B*
180-907B	12"/300mm	E/M	180-503B	180-102B	180-202B	180-301B*
180-910B	300mm	Metric	180-505B	180-102B	180-202B	180-301B*

*Cast iron-not hardened

Inch/Metric _____ Cast iron-not hardened Combination Square Sets

Set No.	Blade		Square Head	Center Head	Protractor Head	
	Size	Type				
180-803B	12"	4R	180-501B	180-112B	180-212B	-
180-805B	12"	4R	180-501B	180-112B	180-212B	180-301B

Inch / Metric _____ Blades only

Order No.	Length	Graduations	Accuracy (length)
180-501B	12"	8, 16, 32, 64ths (4R)	+0.005" / -0.0035" (+0.13mm / -0.09mm)
180-502B	12"	32, 64, 50, 100ths (16R)	
180-503B	12" x 300mm	32, 64ths, 1, 0.5mm	
180-505B	300mm	1, .5, 1, 0.5mm	+0.006" / -0.0035" (+0.15mm / -0.09mm)
180-701B	18"	8, 16, 32, 64ths (4R)	
180-703B	18" x 450mm	32, 64ths, 1, 0.5mm	
180-601B	24"	8, 16, 32, 64ths (4R)	+0.007" / -0.0035" (+0.18mm / -0.09mm)
180-603B	24" x 600mm	32, 64ths, 1, 0.5mm	

Technical Data

- Square head: Used to set the rule at 90 degrees or 45 degrees to an edge of a workpiece.
- Center head: Used to locate centers of round workpieces.
- Protractor head: Used to set the rule at a desired angle to an edge of a workpiece. Also used for measuring angles.