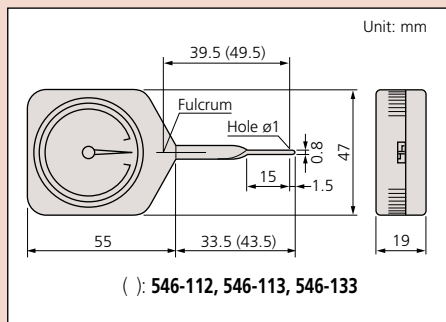


Application

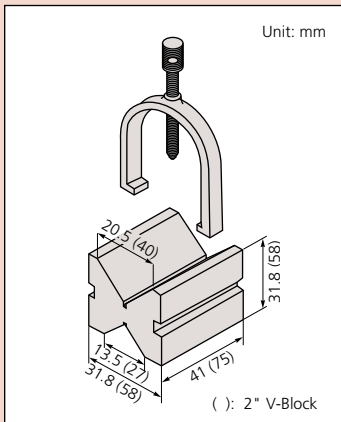
Measuring contact force of relay



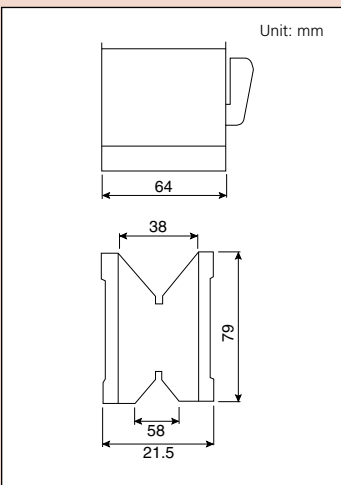
DIMENSIONS



DIMENSIONS



DIMENSIONS



Dial Tension Gages

SERIES 546

FEATURES

- Can measure dynamic tension in Newton (N) units.
- Dial Tension Gages are widely used to determine the contact force of other measuring instruments as well as that of electrical relays, micro-switches, valves and precision springs.
- Convenient peak-hold type gages are also available.



SPECIFICATIONS

Standard		
Range	Order No.	Minimum reading
6mN - 50mN	546-112	2mN
10mN - 100mN	546-113	5mN
30mN - 300mN	546-114	10mN
0.06N - 0.5N	546-115	0.02N
0.1N - 1N	546-116	0.05N
0.15N - 1.5N	546-117	0.05N
0.3N - 3N	546-118	0.1N
0.6N - 5N	546-119	0.2N

Peak hold		
Range	Order No.	Graduation
10mN - 100mN	546-133	5mN
30mN - 300mN	546-134	10mN
0.06N - 0.5N	546-135	0.02N
0.1N - 1N	546-136	0.05N
0.15N - 1.5N	546-137	0.05N
0.3N - 3N	546-138	0.1N
0.6N - 5N	546-139	0.2N

V-Block Sets

SERIES 181

FEATURES

- Two V-blocks per set.
- Magnetic type is available. (The magnetic type V-block is not provided with a workpiece clamp.)



SPECIFICATIONS

Inch				
Max. workpiece dia.	Order No.	Thread Size	Remarks	Mass(g)
1"	181-901-10	UNC 1/4"-20	With clamp	750
2"	181-904-10	5/16"-18NC	With clamp	3600

Magnetic V-Block

SERIES 181

SPECIFICATIONS

Metric			
Max. workpiece dia.	Order No.	Magnetic Pull	Remarks
2"	181-146	60 kg	1 Piece

